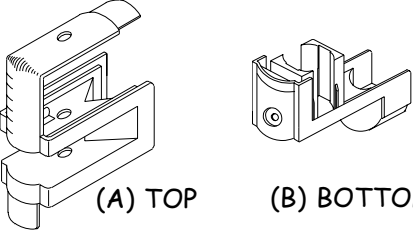
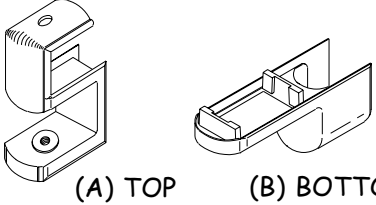
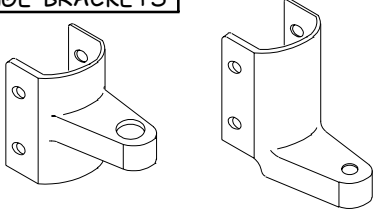
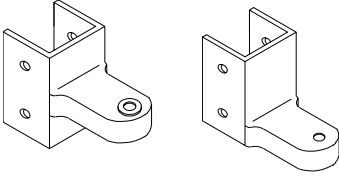
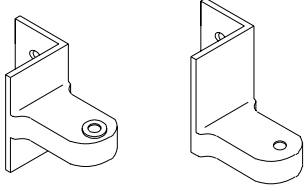
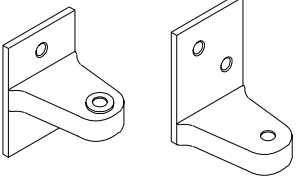
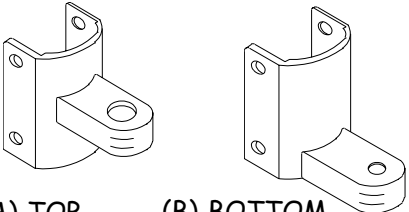
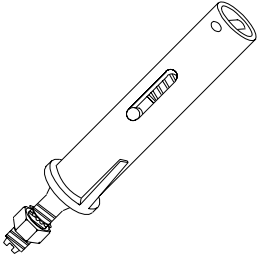
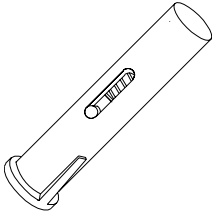
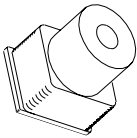
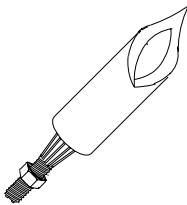
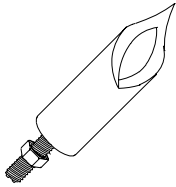
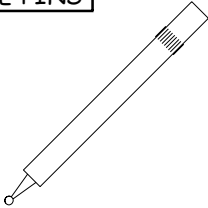



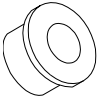
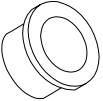
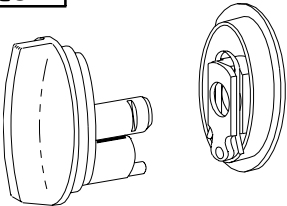
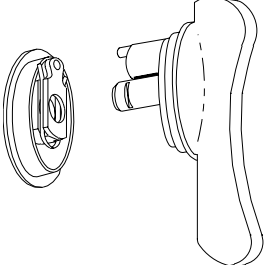
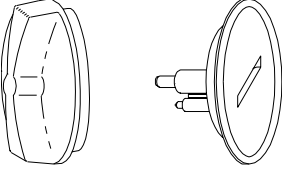
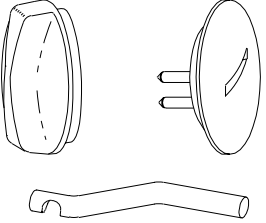
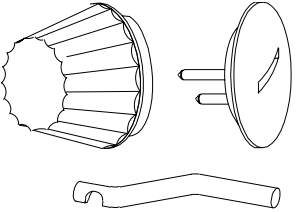
DOOR HARDWARE-BAKED ENAMEL

ITEM	PART #	CZ	CB	PB	SS	DESCRIPTION
HINGE CASTINGS						
 <p>(A) TOP (B) BOTTOM</p>	(A) 1500 D (B) 1000 D					PRESENT HINGE CASTINGS. AVAILABLE PAINTED, UNPAINTED, OR CHROME PLATED.
 <p>(A) TOP (B) BOTTOM</p>	(A) 1500 B (B) 1000 B					HINGE CASTINGS USED PRIOR TO '87. AVAILABLE PAINTED OR UNPAINTED ONLY.
HINGE BRACKETS						
 <p>(A) TOP (B) BOTTOM</p>	(A) 1250 D (B) 1250 D-B	●	◐	◐	◐	PRESENT HINGE BRACKETS TO FIT 1 1/4" PILASTERS. HOLE SPACING IS 1 1/8" CTR. TO CTR.
 <p>(A) TOP (B) BOTTOM</p>	(A) 1250 Q (B) 1250 Q-B	●	◐	◐	◐	PRESENT HINGE BRACKETS TO FIT 1 1/4" SQUARE POST. HOLE SPACING IS 1 1/8" CTR. TO CTR.
 <p>(A) TOP (B) BOTTOM</p>	(A) 1250 M (B) 1250 M-B	●	◐	◐	◐	PRESENT HINGE BRACKETS TO FIT MARBLE PILASTERS OVER 1 1/4" THICK. HOLE SPACING IS 1 1/8" CTR. TO CTR.
 <p>(A) TOP (B) BOTTOM</p>	(A) 1250 F (B) 1250 F-B	●	◐	◐	◐	PRESENT HINGE BRACKETS TO MOUNT DIRECTLY TO A FLAT SURFACE.
 <p>(A) TOP (B) BOTTOM</p>	(A) 1225 (B) 1225 -B	●	◐	◐	◐	OLD STYLE HINGE BRACKETS (PRIOR TO MAY '87) HOLE SPACING IS 1 1/2" CTR. TO CTR. USE ABOVE SUFFIXES AFTER PART # TO DENOTE SPECIAL CONDITIONS, I.E. FLATBACK.

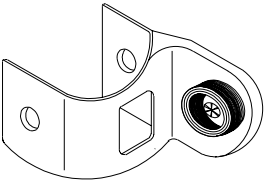
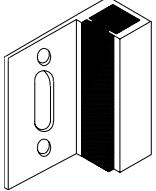
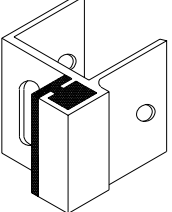
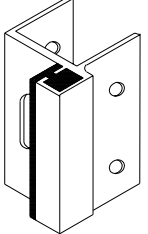
DOOR HARDWARE-BAKED ENAMEL

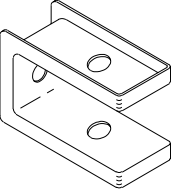
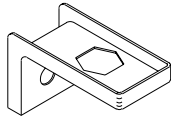


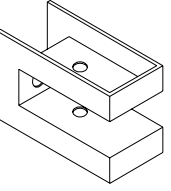
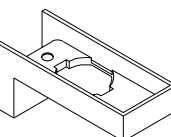




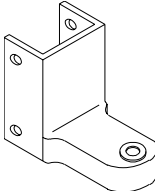
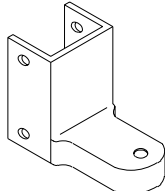






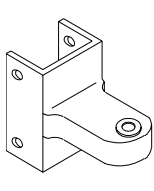
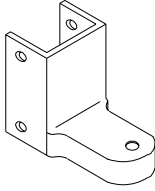


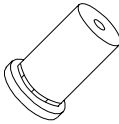
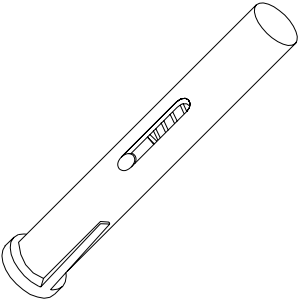
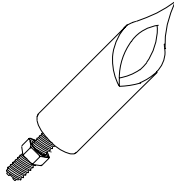
ITEM	PART #	CZ	CB	PB	SS	DESCRIPTION
<div style="border: 1px solid black; padding: 2px; display: inline-block; margin-bottom: 5px;">CAMS</div> 	1000E-C			NYLON		DISCONTINUED REPLACE WITH 1000D-C AND 1250D-C SHOWN BELOW.
	1000D-C			NYLON		SPRING LOADED FEMALE CAM USED SINCE MAY '87. 4 5/8" X 13/16" DIA.
	1000C-C			NYLON		GRAVITY OPERATED FEMALE CAM USED PRIOR TO MAY '87. 1 1/8" X 7/8" DIA.
	1250D-C			NYLON		MALE CAM USED SINCE MAY '87. 2 1/8" X 9/16" DIA.
	1250C-C			NYLON		MALE CAM USED PRIOR TO MAY '87. 2 1/8" X 5/8" DIA.
<div style="border: 1px solid black; padding: 2px; display: inline-block; margin-bottom: 5px;">TOP HINGE PINS</div> 	1500D-T			STEEL		TOP HINGE PIN USED SINCE MAY '87. 2 7/8" X 1/4" DIA.
	1500C-T			STEEL		TOP HINGE PIN USED PRIOR TO MAY '87. 3" X 3/8" DIA.

DOOR HARDWARE-BAKED ENAMEL

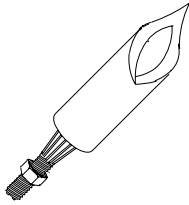


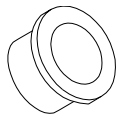
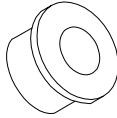
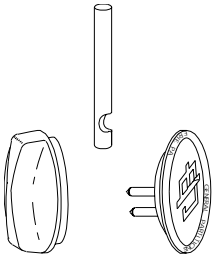
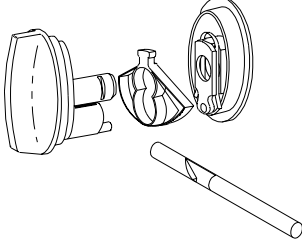
ITEM	PART #	CZ	CB	PB	SS	DESCRIPTION
TOP HINGE BUSHINGS						
	1250D-TB		NYLON			TOP HINGE BUSHING USED AFTER MAY '87. INSIDE DIAMETER IS 1/4".
	1250C-TB		NYLON			TOP HINGE BUSHING USED PRIOR TO MAY '87. INSIDE DIAMETER IS 3/8".
LATCHES						
	2000D	●	○	○	○	PRESENT CONCEALED LATCH HELD TOGETHER BY HORSESHOE CLIP.
	2000F	●	○	○	○	PRESENT ADA LEVER STYLE LATCH HELD TOGETHER BY HORSESHOE CLIP.
	2000C	●	○	○	○	CONCEALED LATCH USED PRIOR TO MAY '87. HELD TOGETHER BY RETAINING RING.
	2000B	●	○	○	○	OLD STYLE TURN LATCH WITH SLIDE BAR. USED ON OLD DOORS THAT DO NOT HAVE LOCKING MECHANISM BUILT- IN.
	2000A	○	○	○	○	NO LONGER AVAILABLE REPLACE WITH 2000B.

DOOR HARDWARE-BAKED ENAMEL

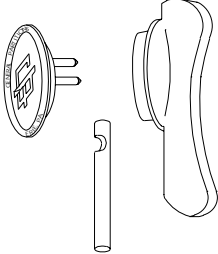
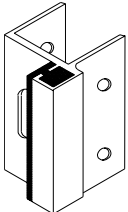
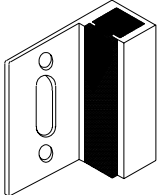
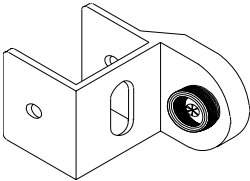
ITEM	PART #	CZ	CB	PB	SS	DESCRIPTION
<p>STOP & KEEPERS</p> 	2060D	●	◐	◐	◐	STANDARD STOP & KEEPER TO FIT ON 1 1/4" PILASTER.
	2060D-F	●	◐	◐	◐	STOP & KEEPER TO MOUNT DIRECTLY TO A WALL.
	2060D-P	●	○	○	○	STOP & KEEPER TO FIT ON 1 1/4" SQUARE POST.
	2060D-PP	◐	◐	◐	◐	DOUBLE HIGH STOP & KEEPER TO FIT ON 1 1/4" SQUARE POST.

DOOR HARDWARE-PLASTIC LAMINATE						
ITEM	PART #	CZ	CB	PB	SS	DESCRIPTION
HINGE CASTINGS						
 (A) TOP  (B) BOTTOM	(A) 1500PL (B) 1000PL	● ●	○ ○	○ ○	 	PRESENT HINGE CASTINGS.
 (A) TOP  (B) BOTTOM	(A) 1500HPL (B) 1000HPL	 	○ ○	○ ○	 	HINGE CASTINGS USED PRIOR TO FEBRUARY 1990.
HINGE BRACKETS						
 (A) TOP  (B) BOTTOM	(A) 1250PL-T (B) 1250PL-B	● ●	 	 	 	PRESENT HINGE BRACKETS TO FIT 1 1/4" PILASTERS.
 (A) TOP  (B) BOTTOM	(A) 1250HPL-T (B) 1250HPL-B	 	○ ○	○ ○	○ ○	HINGE BRACKETS USED PRIOR TO FEBRUARY 1990.
CAMS						
	1000PL-C			NYLON		PRESENT FEMALE CAM. GRAVITY OPERATED. 1 1/4" X 3/4" DIA.
	1000HPL			NYLON		SPRING LOADED FEMALE CAM USED PRIOR TO FEB. 1990. 4 3/4" X 3/4" DIA.
	1250PL-C			NYLON		PRESENT MALE CAM. 2 1/4" X 5/8" DIA.

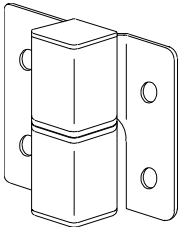

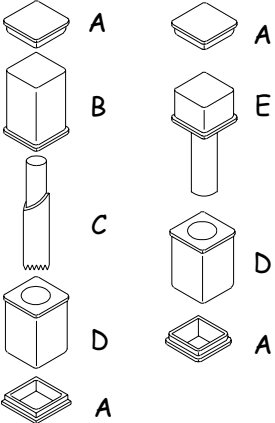
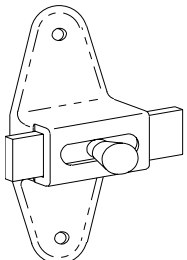




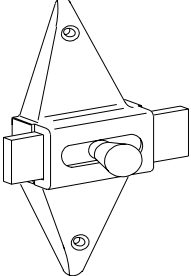




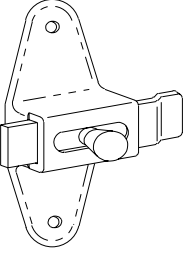




DOOR HARDWARE-PLASTIC LAMINATE

ITEM	PART #	CZ	CB	PB	SS	DESCRIPTION
	1250HPL-C			NYLON		MALE CAM USED PRIOR TO FEB. 1990. 2 1/8" X 9/16" DIA.
TOP HINGE PINS						
	1500PL-T			STEEL		PRESENT TOP HINGE PIN. 3 1/2" X 3/8" DIA.
	1500HPL-T			NYLON		TOP HINGE PIN USED PRIOR TO FEB. 1990. 2 7/8" X 1/4" DIA.
TOP HINGE BUSHINGS						
	1250C-TB			NYLON		PRESENT TOP HINGE BUSHING. INSIDE DIA. IS 3/8".
	1250D-TB			NYLON		TOP HINGE BUSHING USED PRIOR TO FEB. 1990.
LATCHES						
	2000C-PL	●	○	○	○	PRESENT CONCEALED LATCH HELD TOGETHER BY A RETAINING RING.
	2000HC-PL	●	○	○	○	CONCEALED LATCH USED PRIOR TO FEB. 1990. HELD TOGETHER BY HORSESHOE CLIP.

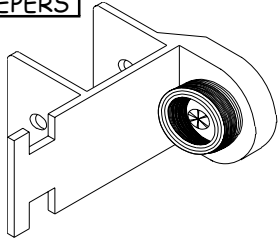
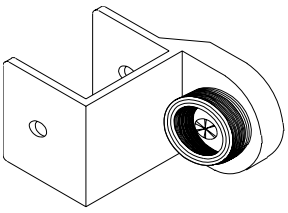
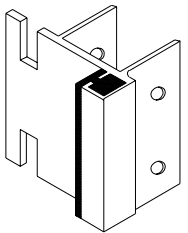
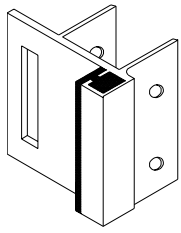
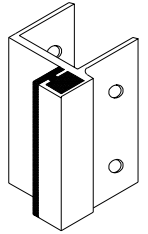
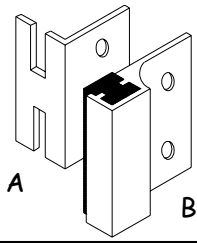
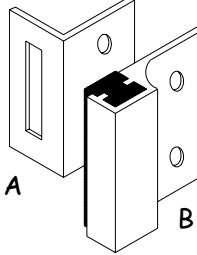
DOOR HARDWARE-PLASTIC LAMINATE

ITEM	PART #	CZ	CB	PB	SS	DESCRIPTION
	2000F-PL	●	○	○	○	P/L ADA LEVER STYLE LATCH.
STOP & KEEPERS						
	2060CC-PL	●	◐	◐	◐	DOUBLE HIGH STOP & KEEPER.
	2060C-PL-F	●	◐	◐	◐	FLAT BACK STOP & KEEPER.
	2060C-PL	●	◐	◐	◐	PRESENT STOP & KEEPER.

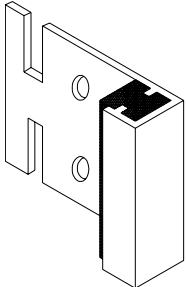
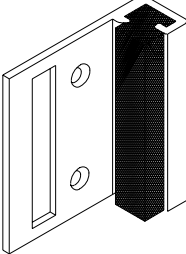
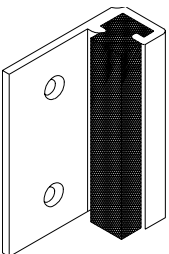
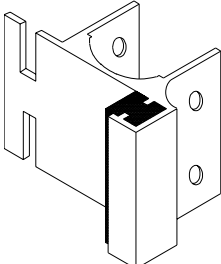
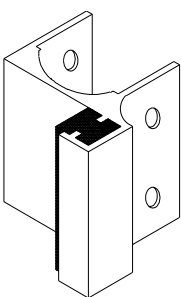
DOOR HARDWARE-SPC & SURFACE MOUNTED

ITEM	PART #	CZ	CB	PB	SS	DESCRIPTION
<p>HINGES</p> 	1500GS-T & B					<p>SQUARE BARREL SURFACE MOUNTED HINGE TOP & BOTTOM SPECIFY DOOR HAND & SWING.</p> <p>HOLE SPACING 1 1/2" HIGH.</p>
	<p>1500GS(A) 1500GS(B) 1500GS(C) 1500GS(D) 1500GS(E)</p>		<p>NYLON</p>			<p>INTERNAL PARTS FOR ABOVE HINGE.</p>
<p>LATCHES</p> 	2000PL					<p>SURFACE MOUNTED SLIDE LATCH.</p> <p>HOLE SPACING 3 1/2".</p>
	2000PL-D					<p>DIAMOND STYLE SURFACE MOUNTED SLIDE LATCH.</p> <p>HOLE SPACING 2 3/4".</p>
	2000PL-ZBAR					<p>SURFACE MOUNTED SLIDE LATCH FOR 3/4" PILASTERS.</p> <p>HOLE SPACING 3 1/2".</p>

DOOR HARDWARE-SPC & SURFACE MOUNTED

ITEM	PART #	CZ	CB	PB	SS	DESCRIPTION
<div style="border: 1px solid black; padding: 2px; display: inline-block; margin-bottom: 5px;">STOP & KEEPERS</div> 	2060-IPL	●	○	○	○	INSWING STOP & KEEPER FOR SURFACE MOUNTED SLIDE LATCH WITH EMERGENCY ACCESS.
	2060-OPL	●	○	○	○	OUTSWING STOP & KEEPER FOR SURFACE MOUNTED SLIDE LATCH WITH EMERGENCY ACCESS.
	2050-IPL	⊘	⊘	⊘	⊘	DOUBLE HIGH INSWING STOP & KEEPER FOR SURFACE MOUNTED SLIDE LATCH WITH EMERGENCY ACCESS.
	2050-IPL-N	⊘	⊘	⊘	⊘	DOUBLE HIGH INSWING STOP & KEEPER FOR SURFACE MOUNTED SLIDE LATCH WITHOUT EMERGENCY ACCESS.
	2050-OPL	⊘	⊘	⊘	⊘	DOUBLE HIGH OUTSWING STOP & KEEPER FOR SURFACE MOUNTED SLIDE LATCH WITH EMERGENCY ACCESS.
	2040-PL-A	●	⊘	⊘	⊘	2-PIECE IN/OUT SWING STOP & KEEPER FOR SURFACE MOUNTED SLIDE LATCH. TO FIT ANY THICKNESS PILASTER W/EMERGENCY ACCESS.
	2040-PL-B	●	⊘	⊘	⊘	
	2040-PL-A-N	⊘	⊘	⊘	⊘	2-PIECE IN/OUT SWING STOP & KEEPER FOR SURFACE MOUNTED SLIDE LATCH. TO FIT ANY THICKNESS PILASTER WITHOUT EMERGENCY ACCESS.
	2040-PL-B-N	●	⊘	⊘	⊘	

DOOR HARDWARE-SPC & SURFACE MOUNTED

ITEM	PART #	CZ	CB	PB	SS	DESCRIPTION
	2060-IPL-F	☑	○	○	○	FLATBACK STOP & KEEPER FOR SURFACE MOUNTED SLIDE LATCH. INSWING WITH EMERGENCY ACCESS.
	2060-IPL-F-N	☑	☑	☑	☑	FLATBACK STOP & KEEPER FOR SURFACE MOUNTED SLIDE LATCH. INSWING WITHOUT EMERGENCY ACCESS.
	2060-OPL-F	☑	☑	☑	☑	FLATBACK STOP & KEEPER FOR SURFACE MOUNTED SLIDE LATCH. OUTSWING WITH EMERGENCY ACCESS.
	2030-I	☑	○	○	○	INSWING STOP & KEEPER FOR SURFACE SLIDE LATCH TO FIT ROUNDED PILASTER. WITH EMERGENCY ACCESS.
	2030-O	☑	○	○	○	OUTSWING STOP & KEEPER FOR SURFACE SLIDE LATCH TO FIT ROUNDED PILASTER. WITH EMERGENCY ACCESS.