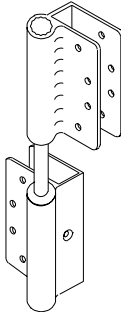
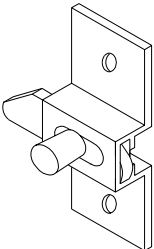
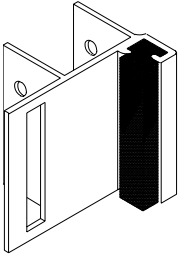
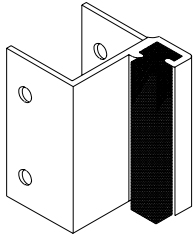
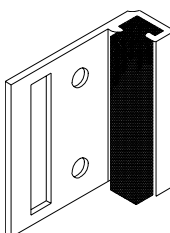
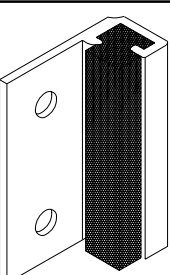
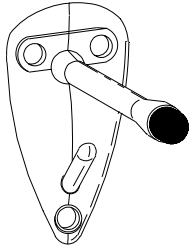
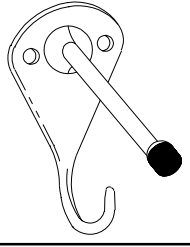
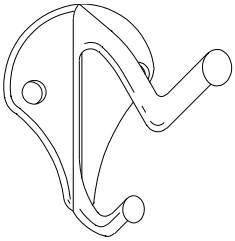
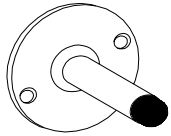
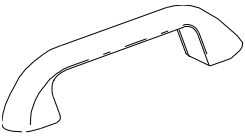
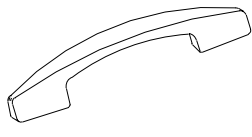
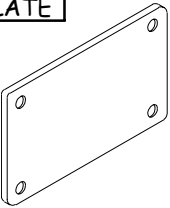
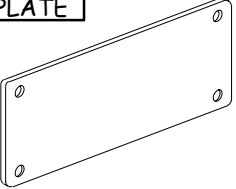
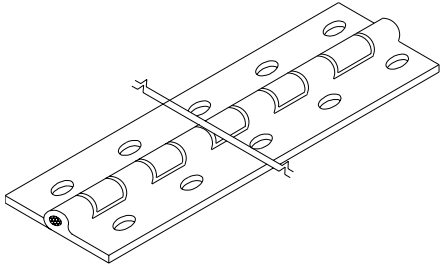
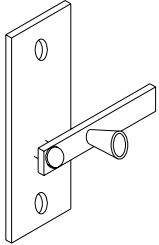
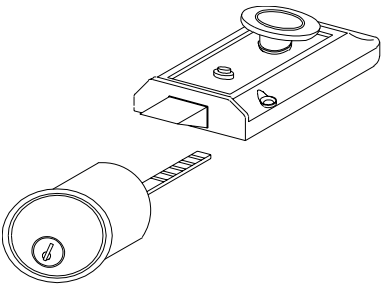
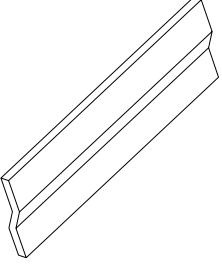
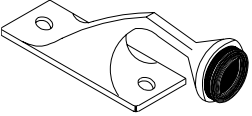
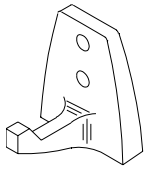


DOOR HARDWARE-HDP & SURFACE MOUNTED						
ITEM	PART #	CZ	CB	PB	SS	DESCRIPTION
<p>HINGES</p> 	1500AL					WRAP AROUND HINGE. TOP & BOTTOM. SPECIFY DOOR HAND & DOOR SWING. (I.E. RIGHT HAND IN, LEFT HAND OUT...ETC.). ALUMINUM.
<p>LATCHES</p> 	2000AL					SURFACE MOUNTED SLIDE LATCH. HOLE SPACING 3 9/16".
<p>STOP & KEEPERS</p> 	2060-IAL					DOUBLE HIGH INSWING STOP & KEEPER FOR SURFACE MOUNTED SLIDE LATCH. WITHOUT EMERGENCY ACCESS.
	2060-OAL					DOUBLE HIGH OUTSWING STOP & KEEPER FOR SURFACE MOUNTED SLIDE LATCH. WITH EMERGENCY ACCESS.
	2060-IAL-F					FLATBACK STOP & KEEPER FOR SURFACE MOUNTED SLIDE LATCH. INSWING WITHOUT EMERGENCY ACCESS.
	2060-OAL-F					FLATBACK STOP & KEEPER FOR SURFACE MOUNTED SLIDE LATCH. OUTSWING WITH EMERGENCY ACCESS.

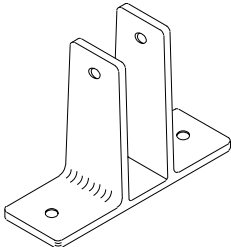
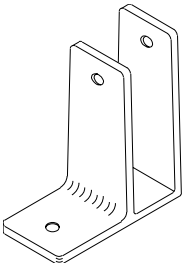
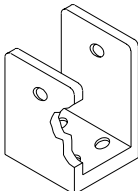
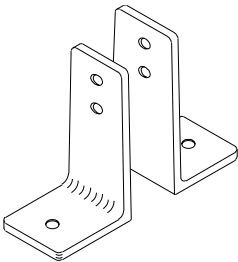
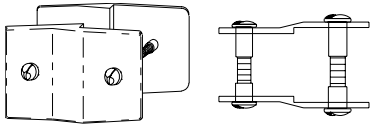
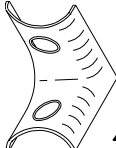
DOOR HARDWARE - MISCELLANEOUS

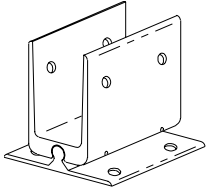
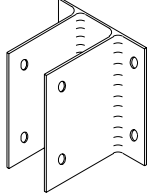
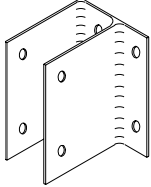
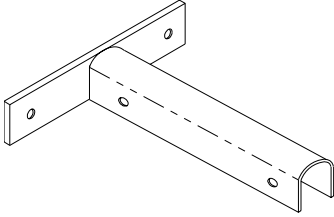
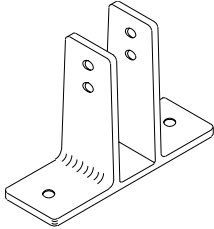
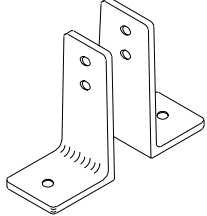
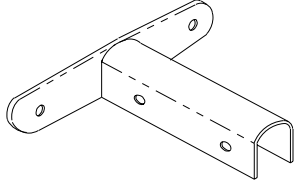
ITEM	PART #	CZ	CB	PB	SS	DESCRIPTION
HOOKS 	6200D	●	○	○	○	3 HOLE COAT HOOK AND BUMPER
	6200C	◐	◐	◐	◐	2 HOLE COAT HOOK & BUMPER
	6200A	◐	◐	◐	◐	2 PRONG ROBE HOOK
BUMPERS 	6250	●	○	○	○	WALL BUMPER
DOOR PULLS 	6300	●	◐	◐	◐	DOOR PULL 3 1/2" CENTERS
	6300C	◐	◐	◐	◐	DOOR PULL 2 3/4" CENTERS
S/S COVER PLATE 	CP-1				●	COVER PLATE TO COVER EXISTING LATCH HOLE.
S/S PUSH PLATE 	PP-1				●	4" x 10" PUSH PLATE

DOOR HARDWARE - SPECIAL ITEMS

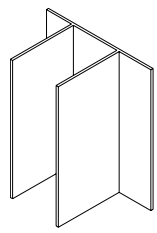
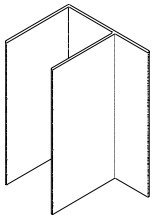
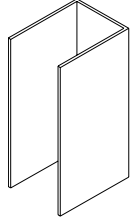
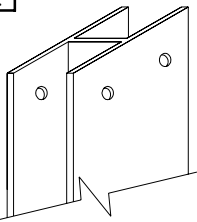
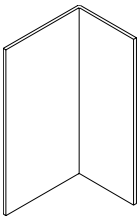
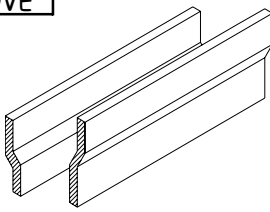
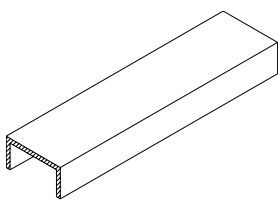
ITEM	PART #	CZ	CB	PB	SS	DESCRIPTION
	P1500				●	FULL HEIGHT PIANO HINGE.
	MS2000				⊘	FULL HEIGHT S/S SPRING LOADED HINGE.
	MA2000		ALUMINUM			FULL HEIGHT ALUMINUM SPRING LOADED HINGE.
	T2000		⊘			SURFACE MOUNTED THROW LATCH. TO BE USED WITH THE FOLLOWING STOP & KEEPERS: 2060-IPL, 2050-IPL, 2040-PL-A, 2060-IPL-F OR 2030-I
	CL1000					CYLINDER LOCK W/2 KEYS.
	PV1000		ALUMINUM			PRIVACY STRIP.
	DS-1		⊘			DOOR STOP ATTACHES TO PILASTER TO PREVENT OVERSWING OF THE DOOR.
	HCH-1	●				COAT HOOK FOR HANDICAP USAGE.

WALL BRACKETS - PANEL & PILASTER

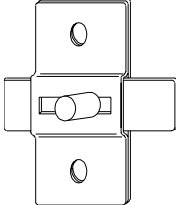
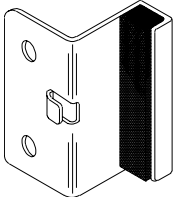
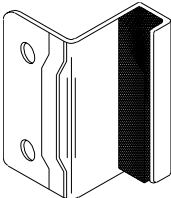
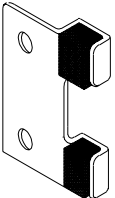
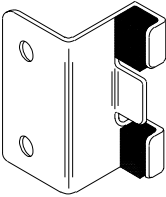
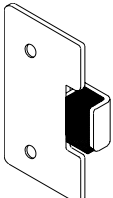
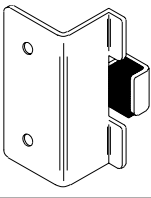
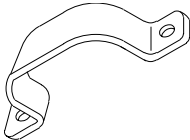
ITEM	PART #	CZ	CB	PB	SS	DESCRIPTION
"T" BRACKET 	4000.5	●	○	○	◐	1/2" x 2 1/2"
	4000.75	●	○	○	○	3/4" x 2 1/2"
	4000	●	◐	◐	◐	1" x 2 1/2"
	4000L	◐	◐	◐	○	1" x 3 1/2"
	4000W	◐	◐	○	◐	1 1/4" x 2 1/2"
"L" BRACKET 	4060.5	●	○	○	◐	1/2" x 2 1/2"
	4060.75	●	○	○	○	3/4" x 2 1/2"
	4060	●	◐	◐	◐	1" x 2 1/2"
	4060L	◐	○	○	○	1" x 3 1/2"
	4120	●	◐	◐	◐	1 1/4" x 2 1/2"
	4120S	●	◐	○	○	1 1/4" x 1.7"
	4120L	◐	○	○	○	1 1/4" x 3 1/2"
"U" BRACKET 	4030.5	◐	○	○	◐	1/2" x 1.3"
	4030.75	●	○	○	○	3/4" x 1.3"
	4030	●	◐	◐	◐	1" x 1.3"
ANGLE BRACKETS 	4040	●	◐	◐	◐	2 1/2" LONG
	4040S	●	◐	◐	◐	1.7" LONG
	4040L	●	◐	◐	◐	3 1/2" LONG
	4040AL	ALUMINUM				
ALCOVE  	4300	●	◐	◐	◐	ALCOVE OFFSET TO ACCOMODATE 1/4" MATERIAL DIFFER- ENCE.
	4310	●				ALCOVE CLIP FOR ATTACHING 1" TO 1 1/4" B/E MATERIAL.

WALL BRACKETS - PANEL & PILASTER						
ITEM	PART #	CZ	CB	PB	SS	DESCRIPTION
PIVOT BRACKET	H4000 H4000W					PIVOT BRACKET FOR 1" PILASTERS. PIVOT BRACKET FOR 1 1/4" PILASTERS. BOTH ADJUSTABLE UP TO 22 DEGREES.
				ALUMINUM		
DOUBLE HIGH - ALUM BRACKET	4000AL					1" x 2 1/2" DOUBLE HIGH "T" BRACKET.
				ALUMINUM		
	4060AL					1" x 2 1/2" DOUBLE HIGH "L" BRACKET.
URINAL SCREEN	5000					BAKED ENAMEL / STAINLESS STEEL URINAL SCREEN BRACKET. SPECIFY PAINTED (COLOR CHOICE), UNPAINTED, OR CHROME PLATED. 10" LONG FOR 1" SCREEN.
				STEEL		
	5000PL	●	◐	◐	◐	BAKED ENAMEL / PLASTIC LAMINATE URINAL SCREEN BRACKETS. 3 1/2" LONG FOR 1" SCREEN.
	5050PL	●	◐	◐	◐	2 PIECE PLASTIC LAMINATE URINAL SCREEN BRACKETS TO FIT ANY THICKNESS. 3 1/2" LONG.
	5100	◐				BAKED ENAMEL / STAINLESS STEEL URINAL SCREEN BRACKET. 6" LONG FOR 1 1/4" SCREEN.

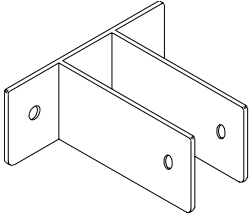
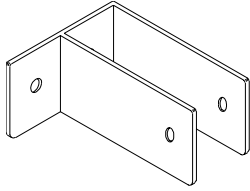
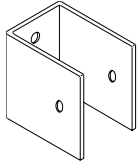
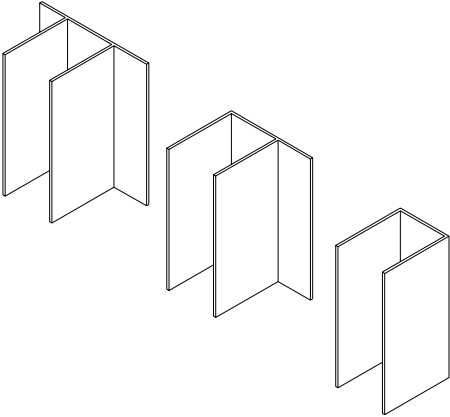
ALUMINUM EXTRUSIONS

ITEM	PART #	CZ	CB	PB	SS	DESCRIPTION
"T" 	6000EXT					1" EXTRUSION SPECIFY LENGTH
	6000.5 EXT					1/2" EXTRUSION SPECIFY LENGTH
"L" 	6060EXT					1" EXTRUSION SPECIFY LENGTH
	6060.2 EXT					1 1/4" EXTRUSION SPECIFY LENGTH
"U" 	6030EXT					1" EXTRUSION SPECIFY LENGTH
	6030.5 EXT					1/2" EXTRUSION SPECIFY LENGTH
"H" CHANNEL 	H4090AL					54" HIGH "H" CHAN- NEL TO FIT 1" PILAS- TERS OR PANELS.
ANGLE 	6040EXT					1" x 2 5/8" EXTRU- SION. SPECIFY LENGTH.
ALCOVE 	6150EXT					1/4" OFFSET ALCOVE EXTRUSION. SPECIFY LENGTH.
PANEL CHANNEL 	6100EXT					1" x 3/4" "U" CHAN- NEL EXTRUSION. SPECIFY LENGTH CAPS OFF CUT END OF PANEL WHEN FIELD CUTTING IS NECESSARY

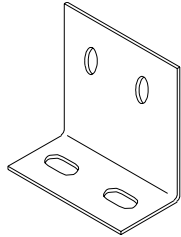
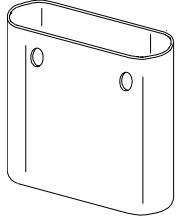
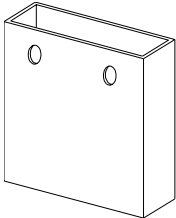
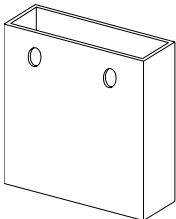
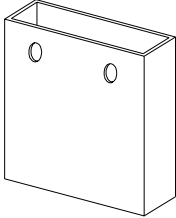
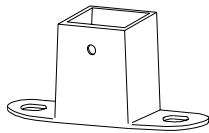
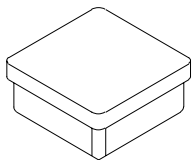
STAINLESS STEEL STAMPINGS DOOR

ITEM	PART #	CZ	CB	PB	SS	DESCRIPTION
DOOR STAMPINGS						
	SSL100				⊘	SURFACE MOUNTED SLIDE LATCH.
	SSKI100				⊘	INSWING STOP & KEEPER W/ EMERGENCY ACCESS. SPECIFY DOOR THICKNESS.
	SSKI150				⊘	INSWING (REINFORCED) STOP & KEEPER WITHOUT EMERGENCY ACCESS. SPECIFY DOOR THICKNESS.
	SSKO100				⊘	OUTSWING STOP & KEEPER WITHOUT EMERGENCY ACCESS. SAME PILASTER & DOOR THICKNESS.
	SSKO100R				⊘	OUTSWING STOP & KEEPER WITHOUT EMERGENCY ACCESS. SPECIFY DOOR THICKNESS.
	SSKO200				⊘	OUTSWING STOP & KEEPER W/EMERGENCY ACCESS. SAME PILASTER & DOOR THICKNESS.
	SSKO200R				⊘	OUTSWING STOP & KEEPER W/EMERGENCY ACCESS. SPECIFY DOOR THICKNESS.
	SSP100				⊘	DOOR PULL.

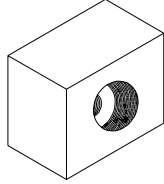
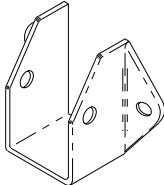
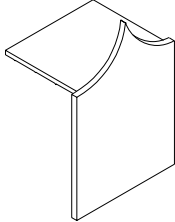
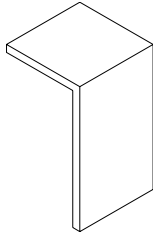
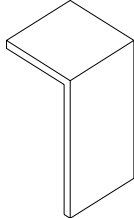
STAINLESS STEEL STAMPINGS - WALL BRACKETS

ITEM	PART #	CZ	CB	PB	SS	DESCRIPTION
"T" BRACKET 	4000.5SS				⊘	1/2" x 2 1/2"
	4000.75SS				⊘	3/4" x 2 1/2"
	4000SS				⊘	1" x 2 1/2"
	4000.WSS				⊘	1 1/4" x 2 1/2"
"L" BRACKET 	4060.5SS				⊘	1/2" x 2 1/2"
	4060.75SS				⊘	3/4" x 2 1/2"
	4060SS				⊘	1" x 2 1/2"
	4120SS				⊘	1 1/4" x 2 1/2"
	4120SSS				⊘	1 1/4" x 1.7"
"U" BRACKET 	4030.5SS				⊘	1/2" x 1.3"
	4030.75SS				⊘	3/4" x 1.3"
	4030SS				⊘	1" x 1.3"
FULL HEIGHT 	6000SS				⊘	1" x 57" "T"
	6060SS				⊘	1" x 57" "L"
	6030SS				⊘	1" x 57" "U"
	6120SS				⊘	1 1/4" x 57" "L"

PILASTER HARDWARE

ITEM	PART #	CZ	CB	PB	SS	DESCRIPTION
FLOOR PLATES 	FP* *= WIDTH OF PILASTER					AVAILABLE IN 2", 3", 4", 5", 6", 8", 10", 12", 14", 18" & 24". GALVANIZED STEEL ON B/E & P/L STAINLESS STEEL ON S/S , SPC, HDP PILASTERS.
SHOES 	BE3000* *= WIDTH OF PILASTER				●	FOR 1 1/4" B/E OR S/S PILASTERS. AVAILABLE IN 2", 3", 4", 5", 6", 8", 10", 12", 14", 18" & 24". (2" NOT AVAILABLE FOR S/S).
	PL3000* *= WIDTH OF PILASTER				●	FOR 1 1/4" PLASTIC LAMINATE. AVAILABLE IN 2", 3", 4", 5", 6", 8", 10", 12", 14", 18" & 24".
	SPC3000* *= WIDTH OF PILASTER				●	FOR 3/4" OR 1" SOLID PHENOLIC CORE. AVAILABLE IN 2", 3", 4", 5", 6", 8", 10", 12", 14", 18" & 24".
	HDP3000* *= WIDTH OF PILASTER				●	FOR 1" HIGH DEN- SITY POLYMER. AVAILABLE IN 2", 3", 4", 5", 6", 8", 10", 12", 14", 18" & 24".
	FM125	●				FLOOR MOUNTING BRACKET FOR 1 1/4" SQUARE ALUMINUM POSTS.
POST CAP 	PC125			NYLON		1 1/4" POST CAP.

HARDWARE FOR HEADRAIL

ITEM	PART #	CZ	CB	PB	SS	DESCRIPTION
<p>BRACKETS</p> 	4360			PLASTIC		HEADRAIL BLOCK FITS BOTH 1" & 1 1/4" HEADRAIL.
	4340	●				HEADRAIL CHAIR BRACKET FITS 1" RECTANGULAR HEADRAIL.
<p>END CAPS</p> 	88			PLASTIC		HEADRAIL END CAP FOR 1 1/4" CROWN HEADRAIL.
	88.1			PLASTIC		HEADRAIL END CAP FITS 1" SPC CROWN HEADRAIL.
	88.75			PLASTIC		HEADRAIL END CAP FITS 3/4" SPC CROWN HEADRAIL.