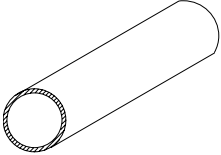
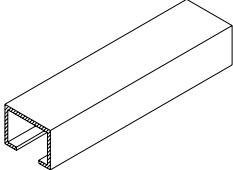
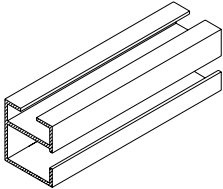
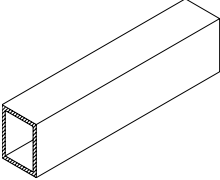
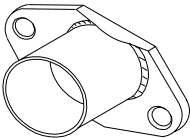
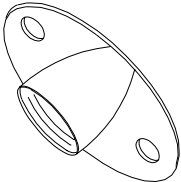
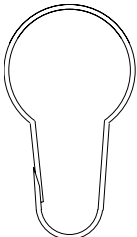
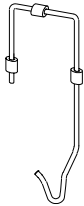

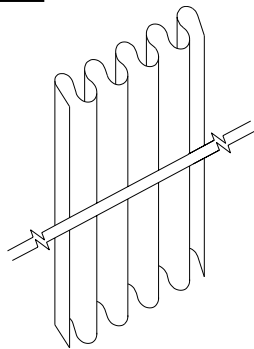
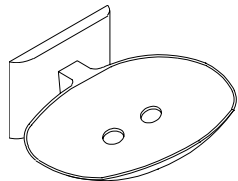
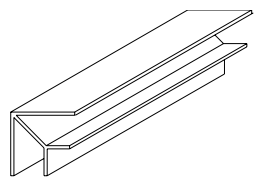
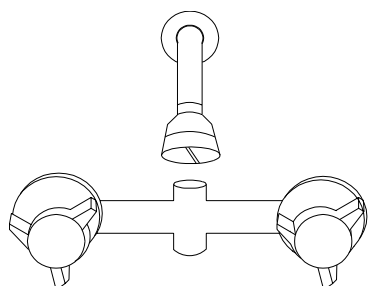


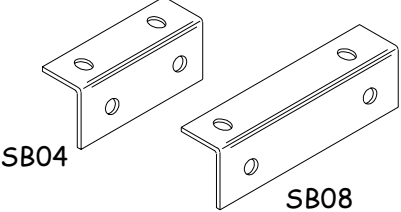

## SHOWER/DRESSING COMPARTMENT HARDWARE

ITEM	PART #	CZ	CB	PB	SS	DESCRIPTION
<b>CURTAIN ROD</b>						
	CR1000				<input checked="" type="radio"/>	1" O.D. CURTAIN ROD. SPECIFY LENGTH.
	CT1000		ALUMINUM			1/2" SMALL CUBICLE TRACK. SPECIFY LENGTH.
	CT3000		ALUMINUM			1" & 1 1/4" CUBICLE TRACK. SPECIFY LENGTH.
	RH1000		ALUMINUM			1" x 1 1/2" RECTANGULAR HEADRAIL. SPECIFY LENGTH.
<b>CURTAIN ROD FLANGES</b>						
	CF1050	<input checked="" type="radio"/>	<input type="radio"/>	<input type="radio"/>	<input type="radio"/>	CURTAIN ROD FLANGE
	CF1050A	<input checked="" type="radio"/>	<input type="radio"/>	<input type="radio"/>	<input type="radio"/>	CURTAIN ROD FLANGE FOR NEO-CORNER SHOWER.
<b>CURTAIN HOOKS</b>						
	RDH001					FOR 1" O.D. CURTAIN ROD.

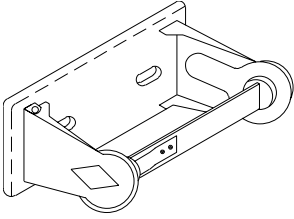
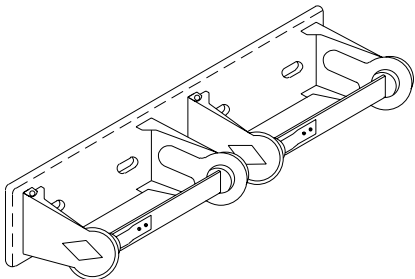
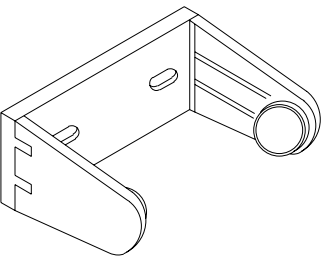
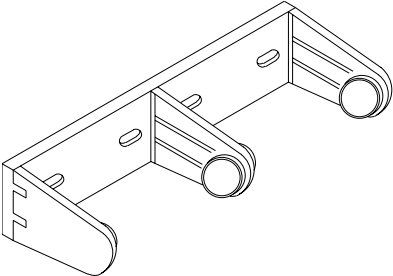
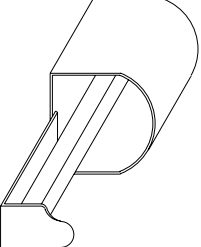
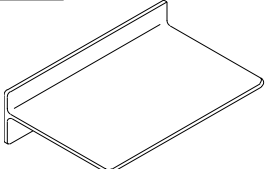
# SHOWER/DRESSING COMPARTMENT HARDWARE

ITEM	PART #	CZ	CB	PB	SS	DESCRIPTION
	RTH001					FOR RECTANGULAR HEADRAIL.
	SCH001					FOR SMALL CUBICLE TRACK...CT1000 OR CT3000.
<p><b>CURTAINS</b></p> 	<p>WD3076</p> <p>WD4276</p> <p>V3076</p> <p>V4276</p>					<p>30" WHITE DUCK CURTAIN W/6" FULLNESS.</p> <p>42" WHITE DUCK CURTAIN W/6" FULLNESS.</p> <p>30" WHITE VINYL CURTAIN W/6" FULLNESS.</p> <p>42" WHITE VINYL CURTAIN W/6" FULLNESS.</p>
<p><b>SOAP DISH</b></p> 	SD208					CHROME PLATED SOAP DISH.
<p><b>CORNER JOINT</b></p> 	CJ300		ALUMINUM			CORNER JOINT FOR SHOWER CABINET.
<p><b>HEAD &amp; VALVES</b></p> 	208-H					SHOWER HEAD & VALVE

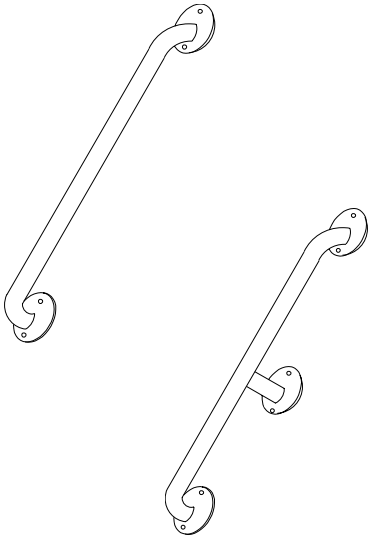
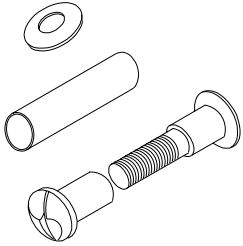

# SHOWER/DRESSING COMPARTMENT HARDWARE

ITEM	PART #	CZ	CB	PB	SS	DESCRIPTION
<b>SEAT BRACKETS</b>						
	SB04  SB08					GALVANIZED STEEL  GALVANIZED STEEL
	SL125					ALUMINUM  1 1/4" x 16 3/4"

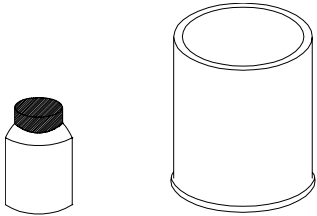
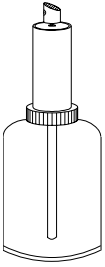
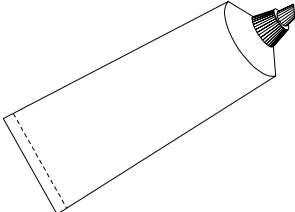
# ACCESSORIES

ITEM	PART #	CZ	CB	PB	SS	DESCRIPTION
<b>PAPER HOLDERS</b>						
	R-200	●				SINGLE ROLL PAPER HOLDER.
	R-260	●				DOUBLE ROLL PAPER HOLDER.
	964	⊙				SINGLE ROLL PAPER HOLDER WITH CONCEALED HINGE ON END.
	965	⊙				DOUBLE ROLL PAPER HOLDER SIMILAR TO MODEL 964.
	R-1500	●				CHROME PLATED DOUBLE ROLL PAPER HOLDER WITH COVERED RESERVE.
<b>PURSE SHELF</b>						
	680	●				6" x 8" ALUMINUM PURSE SHELF. AVAILABLE IN S/S... PLEASE SPECIFY.

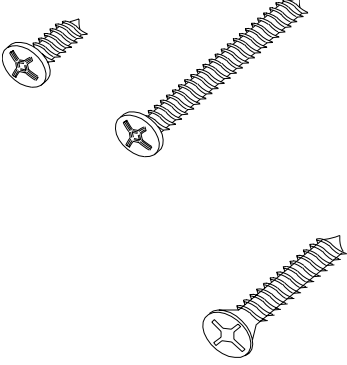
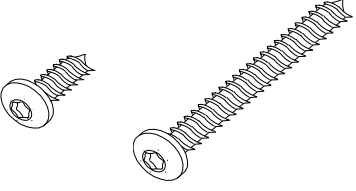
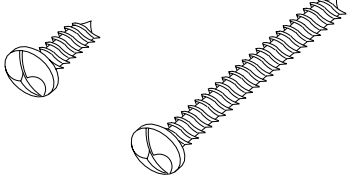
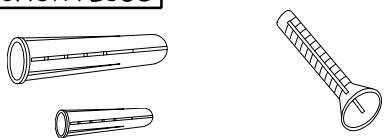
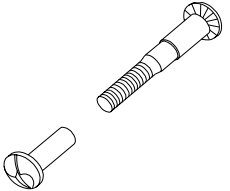
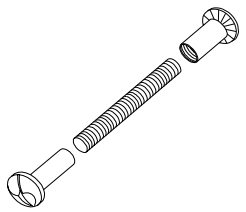
# ACCESSORIES

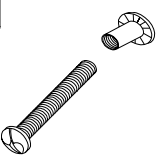
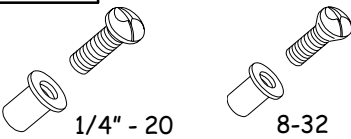
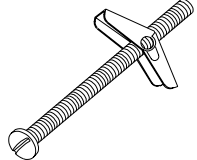
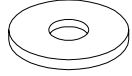
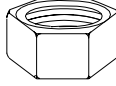
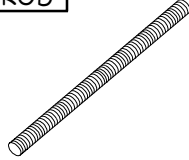
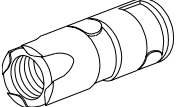
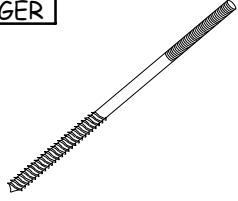
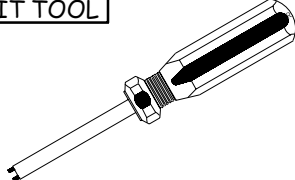
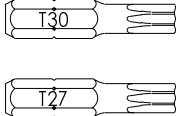
ITEM	PART #	CZ	CB	PB	SS	DESCRIPTION
<p data-bbox="191 254 350 281"><b>GRAB BARS</b></p> 	<p data-bbox="716 254 837 281">GB24125</p> <p data-bbox="716 317 837 344">GB24150</p> <p data-bbox="716 380 837 407">GB36125</p> <p data-bbox="716 443 837 470">GB36150</p> <p data-bbox="716 506 837 533">GB42125</p> <p data-bbox="716 569 837 596">GB42150</p> <p data-bbox="716 632 837 659">GB48125</p> <p data-bbox="716 695 837 722">GB48150</p>				<p data-bbox="1107 254 1167 296">☉</p> <p data-bbox="1107 317 1167 359">●</p> <p data-bbox="1107 380 1167 422">☉</p> <p data-bbox="1107 443 1167 485">●</p> <p data-bbox="1107 506 1167 548">☉</p> <p data-bbox="1107 569 1167 611">●</p> <p data-bbox="1107 632 1167 674">☉</p> <p data-bbox="1107 695 1167 737">●</p>	<p data-bbox="1183 254 1333 281">24" x 1 1/4"</p> <p data-bbox="1183 317 1333 344">24" x 1 1/2"</p> <p data-bbox="1183 380 1333 407">36" x 1 1/4"</p> <p data-bbox="1183 443 1333 470">36" x 1 1/2"</p> <p data-bbox="1183 506 1333 533">42" x 1 1/4"</p> <p data-bbox="1183 569 1333 596">42" x 1 1/2"</p> <p data-bbox="1183 632 1333 659">48" x 1 1/4"</p> <p data-bbox="1183 695 1333 722">48" x 1 1/2"</p> <p data-bbox="699 751 1442 779">ALL STOCK GRAB BARS HAVE TWO EXPOSED FLANGES.</p> <p data-bbox="699 821 1406 940">CENTER SUPPORT, CONCEALED FLANGES, SPECIAL SIZES, TEXTURES AND CONFIGURATIONS ARE AVAILABLE. CONSULT FACTORY FOR PRICES &amp; LEAD TIME.</p>
<p data-bbox="191 953 548 980"><b>GRAB BAR REINFORCEMENT</b></p> 	<p data-bbox="740 1094 813 1121">9000</p>					<p data-bbox="1175 1045 1466 1165">KITS ARE FOR BAKED ENAMEL &amp; STAINLESS STEEL PARTITIONS ONLY.</p>
	<p data-bbox="748 1604 821 1631">9010</p>					<p data-bbox="1175 1556 1466 1612">ADA COMPARTMENT STICKER 6" X 6"</p>

# FINISHING TOUCHES

ITEM	PART #	CZ	CB	PB	SS	DESCRIPTION
<p data-bbox="142 254 347 285">BAKED ENAMEL</p> 	<p data-bbox="672 289 781 512">BOTTLE PINT QUART GALLON</p>					<p data-bbox="1110 338 1424 464">AIR DRY TOUCH UP PAINT TO MATCH OUR STANDARD BAKED ENAMEL COLORS.</p>
	<p data-bbox="683 701 769 732">SP505</p>					<p data-bbox="1110 674 1424 758">AEROSOL SPRAY PACK TO SPRAY OUT PAINT PURCHASED SEPERATELY.</p>
<p data-bbox="142 898 331 930">P/L, SPC &amp; HDP</p> 	<p data-bbox="662 1052 802 1083">SEAMFILL</p>					<p data-bbox="1110 947 1424 1199">1 OZ. TUBES OF PLAS- TIC SEAM FILLER. MOST MATCHES REQUIRE MIXING TOGETHER OF MORE THAN ONE COLOR. CONSULT FACTORY FOR FORMULA</p>

# FASTENERS

ITEM	PART #	CZ	CB	PB	SS	DESCRIPTION
<b>PHILLIPS HEAD SCREW</b> 	4400	●	○	○	●	#14 x 1/2" PAN HEAD
	4700	●	○	○	○	#14 x 1" PAN HEAD
	4500	●	○	○	●	#12 x 1 1/2" PAN HEAD
	4800	●	○	○	○	#12 x 2" PAN HEAD
	4850	●	○	○	○	#12 x 2 1/2" PAN HEAD
	4600	●	○	○	○	#10 x 1" FLAT HEAD
	4610	●	○	○	○	#10 x 2" FLAT HEAD
	4614	●	○	○	○	#14 x 2" FLAT HEAD
<b>TORX SCREW</b> 	4400TT	●	○	○	○	#14 x 1/2" TORX
	4400T	○	○	○	●	#14 x 3/4" TORX
	4700T	●	○	○	○	#14 x 1" TORX
	4500T	●	○	○	●	#12 x 2" TORX
<b>VANDALHEAD SCREW</b> 	4400V	●	○	○	●	#14 x 1/2" PAN HEAD
	4850V	●	○	○	○	#14 x 2 1/2" PAN HEAD
	4500V	●	○	○	●	#12 x 1 1/2" PAN HEAD
	4900V	●	○	○	○	#10 x 5/8" PAN HEAD
<b>ANCHOR PLUGS</b> 	5912					#12 PLASTIC PLUG
	5914					#14 PLASTIC PLUG
	5912L					#12 LEAD PLUG
<b>SEX BOLTS 10-24</b> 	52050	○	●	○	○	1/2" VH SEX BOLT
	52075	○	●	○	○	3/4" VH SEX BOLT
	52100	●	●	○	○	1" VH SEX BOLT
	52125	●	●	○	○	1 1/4" VH SEX BOLT
<b>THREADED WIRE 10-24</b> 	52222	●	○	○	○	INCLUDES TWO VANDALHEAD CAP NUTS. SPECIFY LENGTH.

FASTENERS						
ITEM	PART #	CZ	CB	PB	SS	DESCRIPTION
BLIND HEAD 	50075	●	○	○	○	3/4" BLIND HEAD SEX BOLT.
	50100	●	○	○	○	1" BLIND HEAD SEX BOLT.
WELLNUTS 	WO832	●	○	○	○	8-32 VANDAL HEAD
	W2520	●	○	○	○	1/4" - 20 VANDAL HEAD
TOGGLE 	54253					1/4" x 3"
WASHERS 	WO56					7/16" x 1" x 1/16"
	WO57					1/4" x 3/4" x 1/16"
HEX NUTS 	HN058					3/8" - 16
THREADED ROD 	TRO55					3/8" - 16 x 5"
RAWL CALK-IN 	RC060					3/8" - 16
LAG HANGER 	LH055					3/8" - 16 x 6"
UN-DO-IT TOOL 	U1750					VANDALHEAD SCREW REMOVER.
TORX BITS 	#12					TORX BITS.
	#14					